

# Technical data sheet



## Product features

### Salamander manual 2 heating elements adjustable grid 400 V

<b>Model</b>	<b>SAP Code</b>	00003928
--------------	-----------------	----------



- Removable rear wall of the device: Yes
- Width of internal part [mm]: 710
- Depth of internal part [mm]: 310
- Number of grid positions: 5

<b>SAP Code</b>	00003928	<b>Net Weight [kg]</b>	17.00
<b>Net Width [mm]</b>	884	<b>Power electric [kW]</b>	4.400
<b>Net Depth [mm]</b>	369	<b>Loading</b>	400 V / 3N - 50 Hz
<b>Net Height [mm]</b>	378		

# Technical data sheet



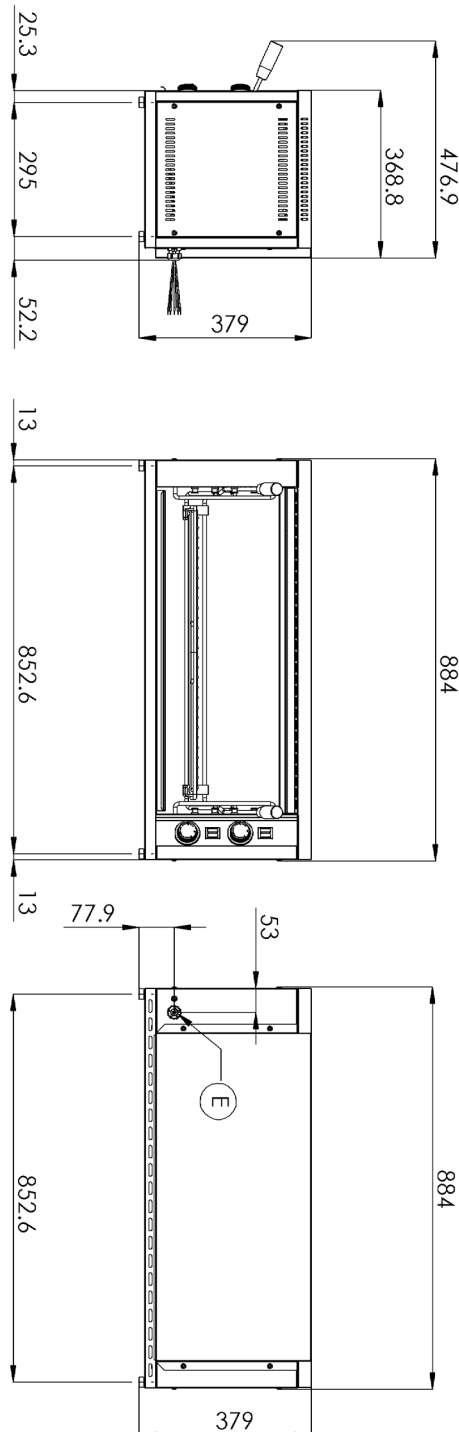
Technical drawing

Salamander manual 2 heating elements adjustable grid 400 V

Model

SAP Code

00003928



# Technical data sheet



## Technical parameters

### Salamander manual 2 heating elements adjustable grid 400 V

<b>Model</b>	<b>SAP Code</b>	00003928
--------------	-----------------	----------

**1. SAP Code:**

00003928

**12. Power electric [kW]:**

4.400

**2. Net Width [mm]:**

884

**13. Loading:**

400 V / 3N - 50 Hz

**3. Net Depth [mm]:**

369

**14. Control type:**

Mechanical

**4. Net Height [mm]:**

378

**15. Number of grid positions:**

5

**5. Net Weight [kg]:**

17.00

**16. Protection of controls:**

IPX4

**6. Gross Width [mm]:**

520

**17. Number of power control stages:**

3

**7. Gross depth [mm]:**

920

**18. Number of internal parts:**

5

**8. Gross Height [mm]:**

440

**19. Removable rear wall of the device:**

Yes

**9. Gross Weight [kg]:**

18.00

**20. Width of internal part [mm]:**

710

**10. Device type:**

Electric unit

**21. Depth of internal part [mm]:**

310

**11. Material:**

Stainless steel